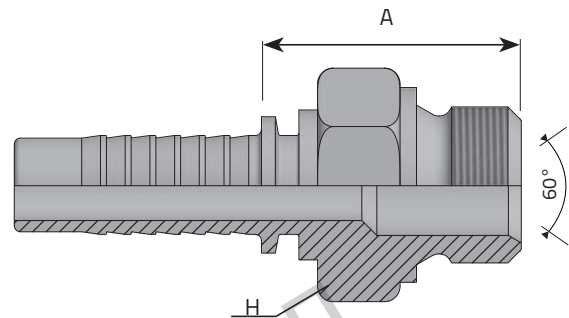




BSPP MALE - 60° CONE (2)

MASCHIO BSPP SV 60°
 MÂLE BSPP CÔNE 60°
 AGR 60° INNENKONUS (BSPP GEWINDE)
 MACHO FIJO BSPP CONO 60°



Code	Tube		Thread		Dimensions			Pressure	
	D.N.	Hose	Diam	T	t/1"	H	A	Bar	Psi
	Inch		mm	Inch		mm	mm		
MG1012	-10	5/8"	16	3/4"	14	32	36	350	5076
MG1016	-10	5/8"	16	1"	11	38	40	350	5076
MG1208	-12	3/4"	19	1/2"	14	27	34	350	5076
MG1210	-12	3/4"	19	5/8"	14	30	36	350	5076
MG1212	-12	3/4"	19	3/4"	14	32	37	350	5076
MG1216	-12	3/4"	19	1"	11	38	40	350	5076
MG1612	-16	1"	25.4	3/4"	14	32	38	280	4061
MG1616	-16	1"	25.4	1"	11	38	40	280	4061
MG1620	-16	1"	25.4	1.1/4"	11	50	45	280	4061
MG2020	-20	1.1/4"	31.8	1.1/4"	11	50	46	210	3046
MG2024	-20	1.1/4"	31.8	1.1/2"	11	55	46	210	3046
MG2424	-24	1.1/2"	38.1	1.1/2"	11	55	46	185	2683
MG2432	-24	1.1/2"	38.1	2"	11	70	53	185	2683
MG3232	-32	2"	50.8	2"	11	70	54	165	2393